

# Timber Bifold

---

Designed to meet the everyday rigors of the New Zealand built environment, the 50Kg series range of bifold hardware will perform effortlessly year in and year out.



Bringing the outside in, while improving the flow of your home, is easily achieved utilising the Zebratti bifolding hardware range.

Designed specifically for timber joinery our range of bifold hardware has been extensively refined over the past 20 years, with the guiding philosophy of advanced simplicity.

To ensure your hardware will stand the test of time we only use highly corrosion resistant materials suited to New Zealand's coastal environment.

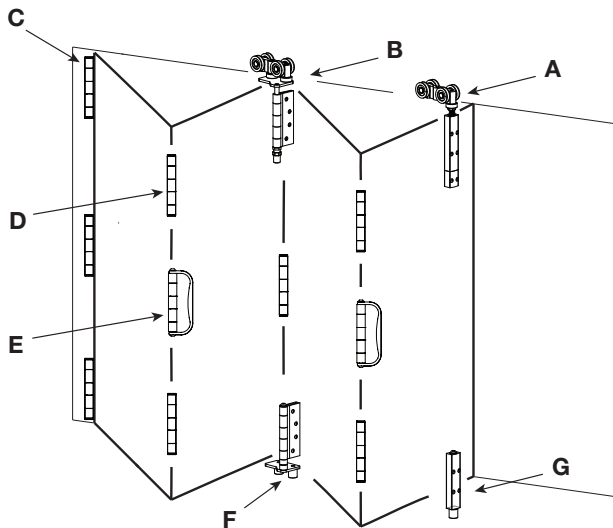
Specifications	Detail
Panel Weight	50kg
Max Panel Height	2.7m
Max Panel Width	.7m
Height Adjustable	+/- 5mm

## Features

- Corrosion resistant Aluminium and 316 Stainless Steel hinge blades, come standard in the 50Kg range.
- Smooth effortless action, is achieved with the use of the latest engineering plastics, and precision bearings.
- Adjustability is a key feature for our bifold system, panels are all height adjustable +/- 5mm
- Surpassed 50,000 operating cycles during testing & still easily operable at completion.



## Technical Drawing



Key	
A	End Top Roller
B	Mid Top Roller
C	Jamb Hinge
D	Mid Hinge
E	Mid Hinge with Handle
F	Mid Bottom Pivot
G	End Bottom Pivot

## Accessories - Flushbolts

FBT

### Sizes

- 190mm
- 450mm
- 600mm

### Surface Finishes

- Satin Chrome
- Powder coated

Note for 56mm panels only



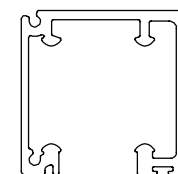
## Surface Finish



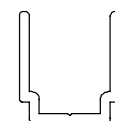
A bronzed finish can be given to the 316 stainless steel blades.

Leading Pivot is Powdercoated aluminium.

## Track

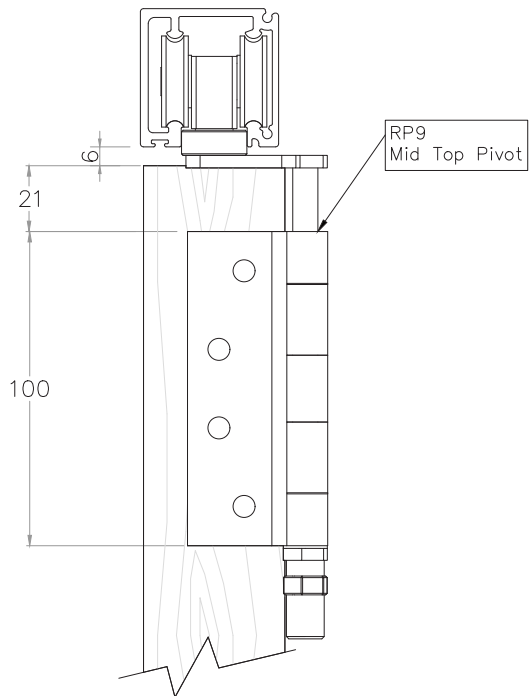


Top Track (T6A)



Guide Track (TB6A)

Mid End View



Leading End View

