

Timber Bifold

Designed to meet the everyday rigors of the New Zealand built environment, the RP11 range of bifold hardware will perform effortlessly year in and year out.



Opening your home, has never been so effortless. Zebratti bifolding hardware, with its proven design, will allow you to get the most out of your outdoor spaces.

Designed specifically for timber joinery our range of bifold hardware has been extensively refined over the past 20 years.

To ensure your hardware will stand the test of time we only use highly corrosion resistant materials suited to New Zealand's coastal environment.

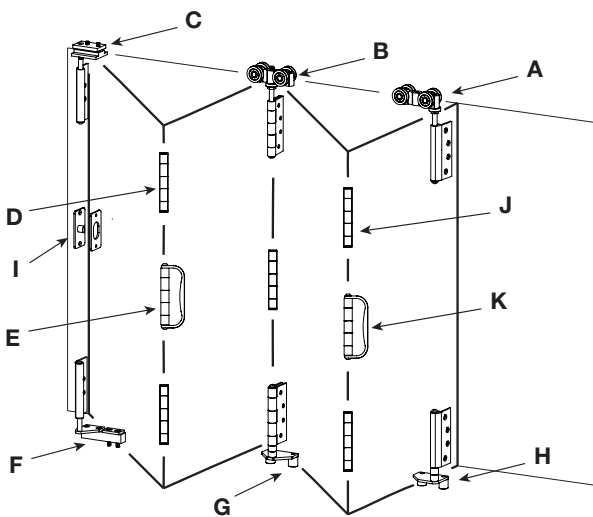
Specifications	Detail
Panel Weight	80kg
Max Panel Height	3.1m
Max Panel Width	.8m
Height Adjustable	+/- 5mm

Features

- 316 Stainless Steel hinge blades, come standard.
- Smooth effortless action, is achieved with the use of the latest engineering plastics, and precision bearings.
- Adjustability is a key feature for our bifold system, panels are all height adjustable +/- 5mm
- Successfully achieved 50,000 operating cycles during testing & still easily operable at completion.



Technical Drawing



Key	
A	Leading Top Roller
B	Mid Top Roller
C	Top Jamb Pivot
D	Mid Hinge
E	Mid Hinge with Handle
F	Bottom Jamb Pivot
G	Mid Bottom Pivot
H	Leading Bottom Pivot
I	Mid Jamb Support
J	Mid Hinge
K	Mid Hinge with Handle

Accessories - Flushbolts

FBT

Sizes

- 190mm
- 450mm
- 600mm

Surface Finishes

- Satin Chrome
- Powder coated

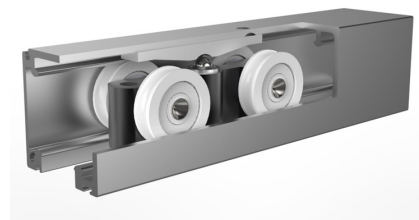


Surface Finish



A bronzed finish can be given to the 316 stainless steel blades.

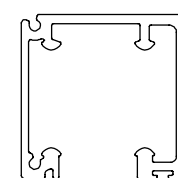
Accessories - Windbreak



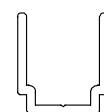
Windbreak Carriage (WB001)

Ask us about using this system in your next project.

Track

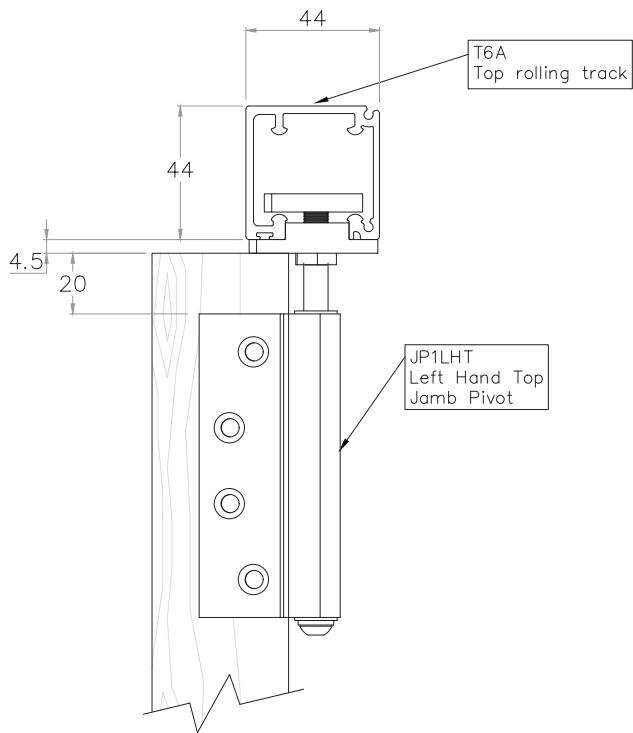


Top Track (T6A)



Guide Track (TB6A)

Jamb End View



Leading End View

