

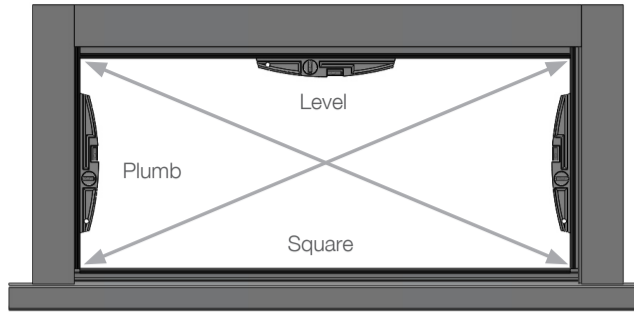
ZEBRATTI

Timber Sliding Installation

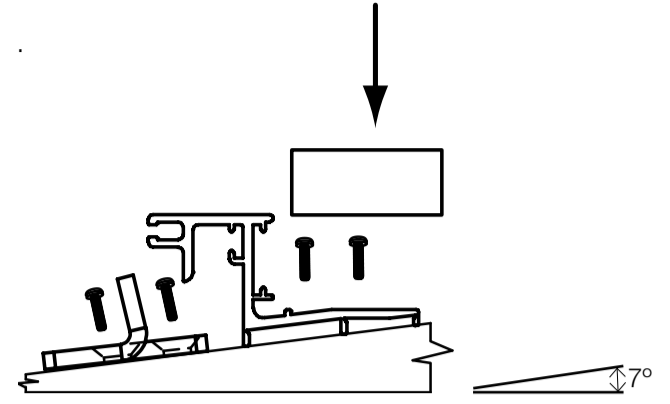
Standard Bottom

BR200T

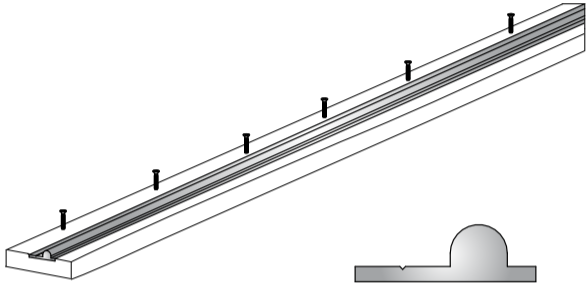
1. Install frame square, level, plumb, and free of twist



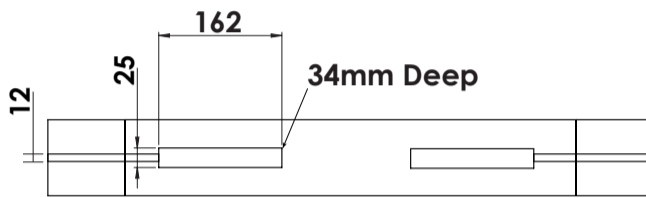
2. Screw down threshold at predrilled centers. Cover back of threshold extrusions, with timber cap. Fix negative load hook to sill.



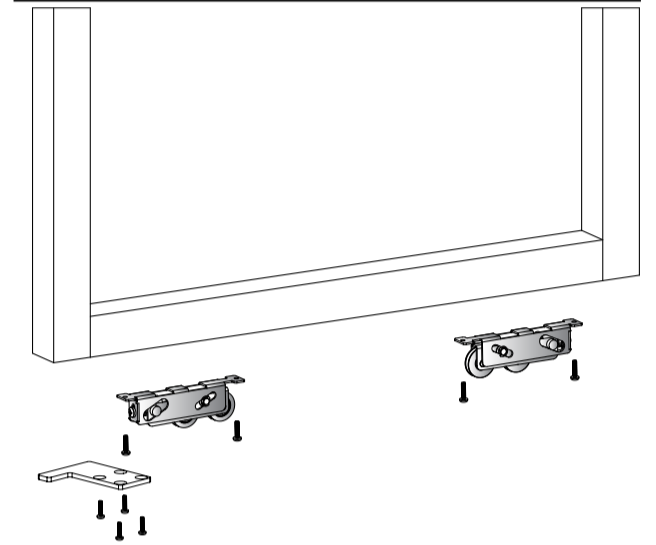
3. To install bottom track, cut to length, then screw at 400mm centres, insure track is level, pack if needed.



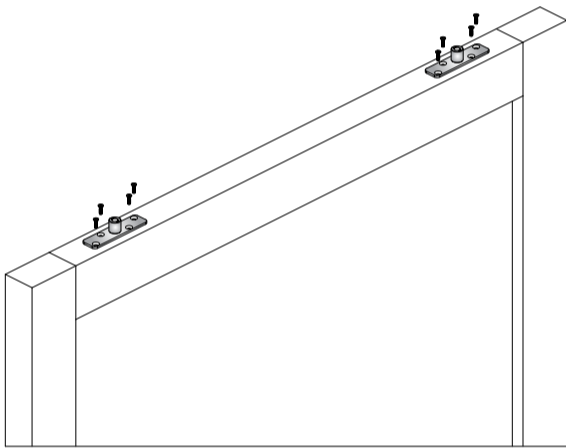
4. Cut mortises into bottom of sliding panel along the centre line of the panel, to insert rollers into. Make smaller channel for access to adjustment screw



5. Screw rollers into bottom rail. Ensure adjustment screws are facing outwards.



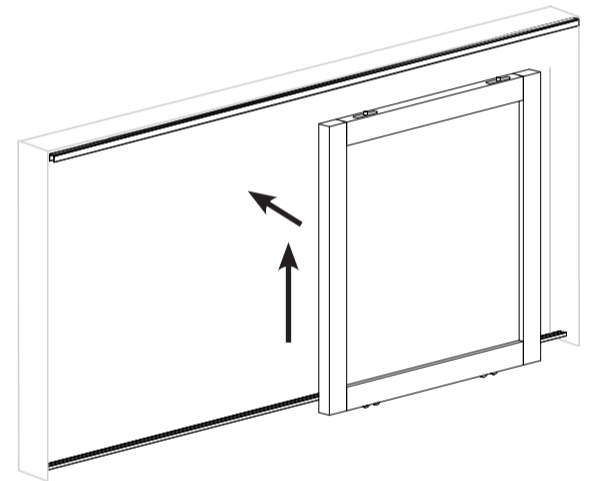
6. Mount top guides onto panel, along the centerline of the panel.



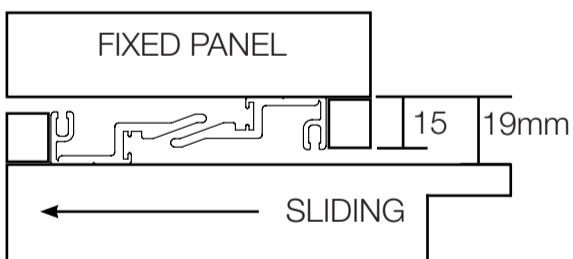
7. Pre Drill and CSK holes for 8g screws at 400mm centres, into top guide track.



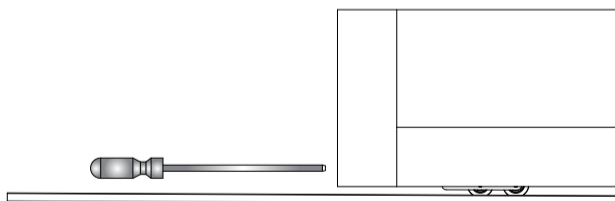
8. Put track onto top guide, then lift and move door onto bottom track.



9. Fix interlocker with 8g screws.



10. Use adjustment screws to make door run level with the top and bottom tracks. Take the weight off the door while adjusting.



NOTE

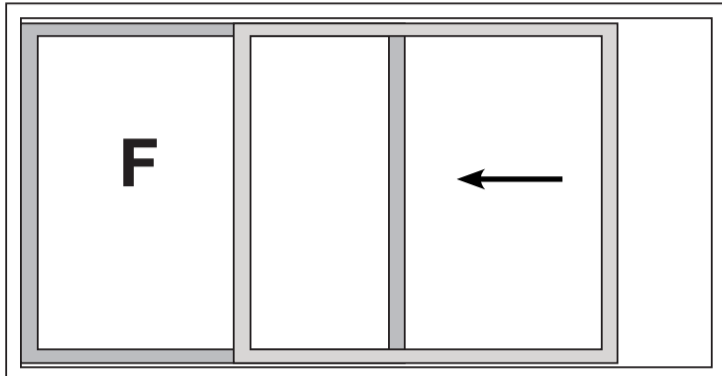
Threshold kits
 12010AL75 for 56mm thick doors.
 12010AL63 for 44mm thick doors.
 12010AL84 for 65mm thick doors.

Aluminium finishes Available

(All anodized 20mic)

(Suffix) A = Natural Anodized
 BRZ = Dark Bronze Anodized
 BLK = Black Anodized

2 Panel Stacker



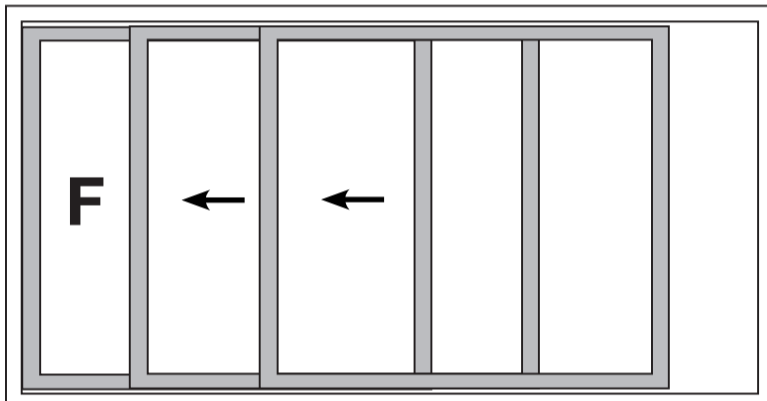
Recommended Hardware

2x Bottom Roller	(#BR200T)
2x Top Guide	(#BG1)
1x Guide Track	(#TB5A)
1x Bottom Track	(#TBS5)
1x Interlocker	(#12001A)
1x Threshold	(#12000A)
Negative Load Hook Set	(#12060LH or RH)

Track Lengths

- Bottom Track: 2.5m, 5m
- Threshold: 2m, 4m
- Interlocker: 2.5m, 5m

3 Panel Stacker

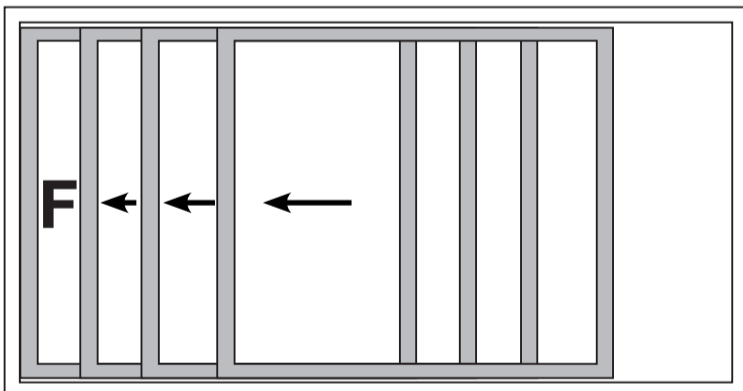


4x Bottom Roller	(#BR200T)
4x Top Guide	(#BG1)
2x Guide Track	(#TB5A)
2x Bottom Track	(#TBS5)
2x Interlocker	(#12001A)
1x Threshold Kit	(#12010A)
Negative Load Hook Set	(#12060LH or RH)

Track Lengths

- Bottom Track: 2.5m, 5m
- Threshold: 2m, 4m
- Interlocker: 2.5m, 5m

4 Panel Stacker

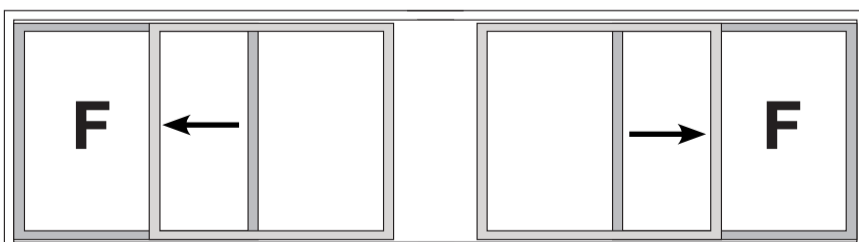


6x Bottom Roller	(#BR200T)
6x Top Guide	(#BG1)
2x Guide Track	(#TB5A)
2x Bottom Track	(#TBS5)
3x Interlocker	(#12001A)
2x Threshold Kit	(#12010A)
Negative Load Hook Set	(#12060LH or RH)

Track Lengths

- Bottom Track: 2.5m, 5m
- Threshold: 2m, 4m
- Interlocker: 2.5m, 5m

4 Panel



4x Bottom Roller	(#BR200T)
4x Top Guide	(#BG1)
1x Guide Track	(#TB5A)
1x Bottom Track	(#TBS5)
2x Interlocker	(#12001A)
2x Threshold Kit (LH & RH)	(#12010A)
Negative Load Hook Set	(#12060LH or RH)

Track Lengths

- Bottom Track: 2.5m, 5m
- Threshold: 2m, 4m
- Interlocker: 2.5m, 5m