

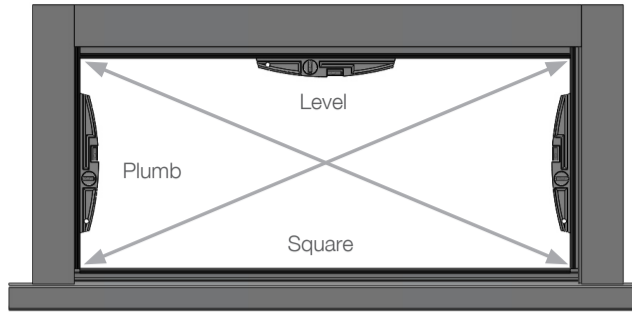
ZEBRATTI

Timber Sliding Installation

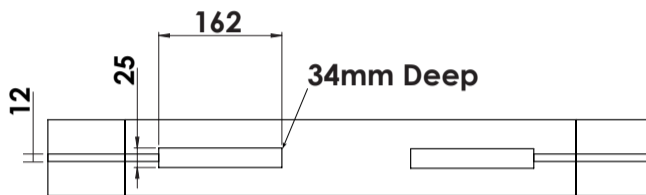
Standard Bottom

BR200T

1. Install frame square, level, plumb, and free of twist



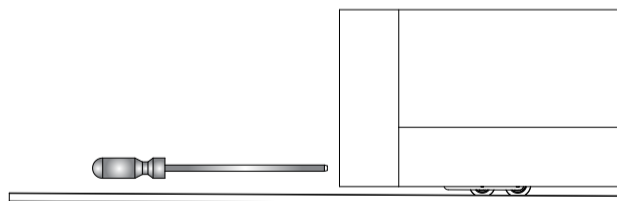
4. Cut mortises into bottom of sliding panel along the centre line of the panel, to insert rollers into. Make smaller channel for access to adjustment screw



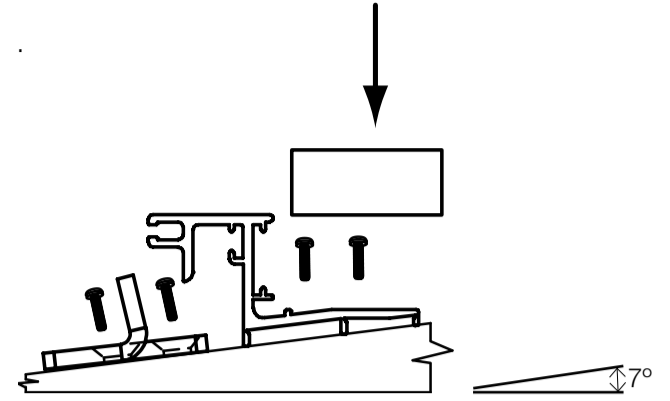
7. Pre Drill and CSK holes for 8g screws at 400mm centres, into top guide track.



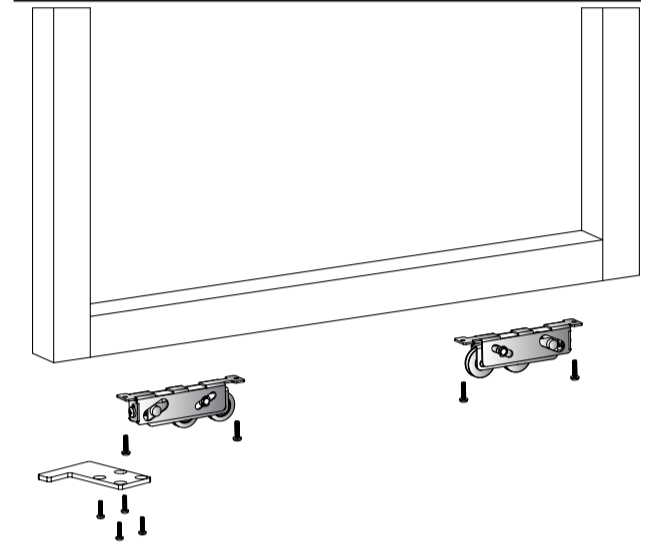
10. Use adjustment screws to make door run level with the top and bottom tracks. Take the weight off the door while adjusting.



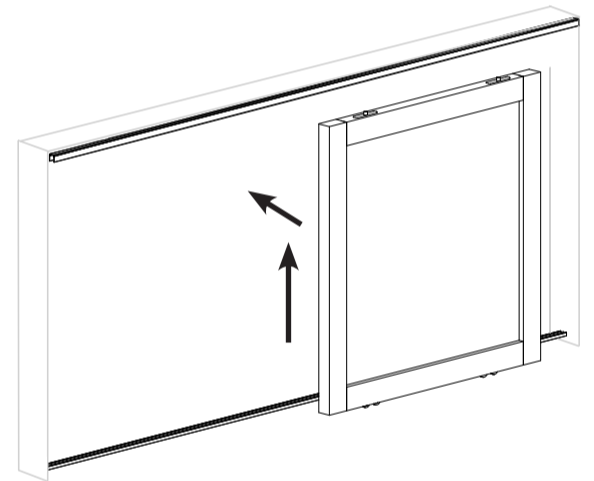
2. Screw down threshold at predrilled centers. Cover back of threshold extrusions, with timber cap. Fix negative load hook to sill.



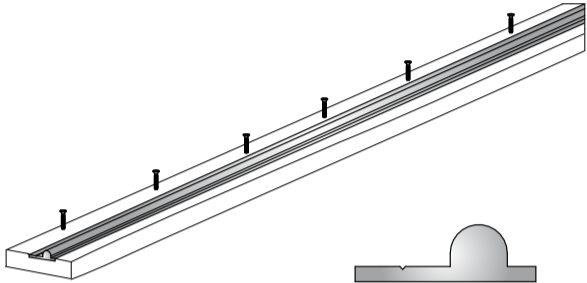
5. Screw rollers into bottom rail. Ensure adjustment screws are facing outwards.



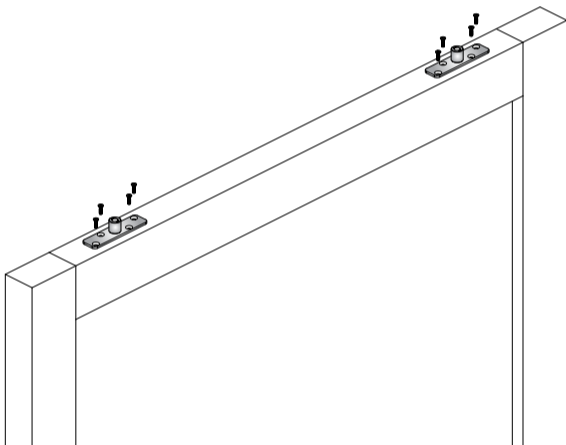
8. Put track onto top guide, then lift and move door onto bottom track.



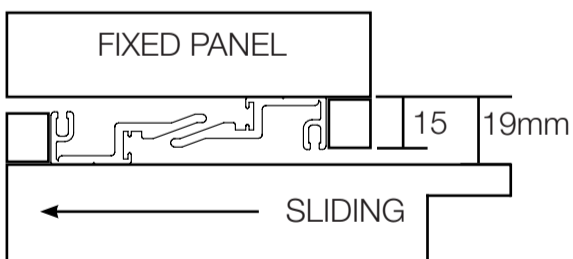
3. To install bottom track, cut to length, then screw at 400mm centres, insure track is level, pack if needed.



6. Mount top guides onto panel, along the centerline of the panel.



9. Fix interlocker with 8g screws.



NOTE

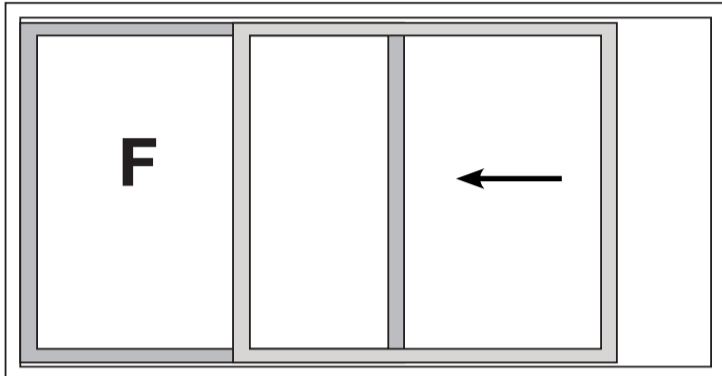
Threshold kits
 12010AL75 for 56mm thick doors.
 12010AL63 for 44mm thick doors.
 12010AL84 for 65mm thick doors.

Aluminium finishes Available

(All anodized 20mic)

(Suffix) A = Natural Anodized
 BRZ = Dark Bronze Anodized
 BLK = Black Anodized

2 Panel Stacker



Recommended Hardware

2x Bottom Roller (50Kg) (#BR200T)
 2x Top Guide (#BG1)
 1x Guide Track (6m) (#TB5A)
 1x Bottom Track (#12002A)
 1x Interlocker (#12001A)
 1x Threshold (#12000A)
 1x Negative Load Hook Set (#12060LH)

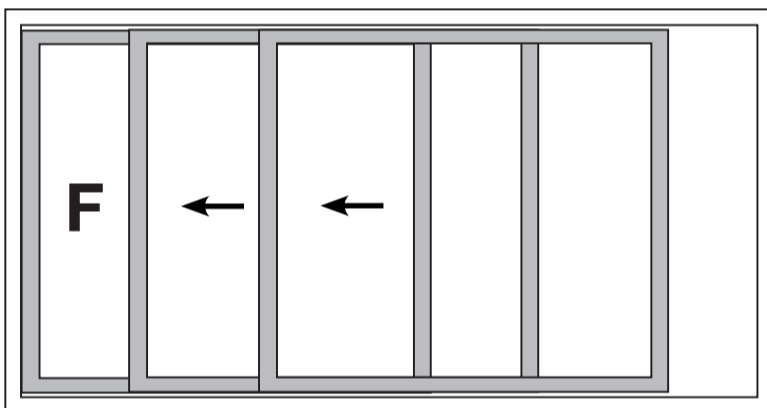
Track Lengths

- Bottom Track: 2.5m, 5m
- Threshold: 2m, 4m
- Interlocker: 2.5m, 5m

NOTE

If door weight above 100kg, use 12051, up to 180kg

3 Panel Stacker



4x Bottom Roller (50Kg) (#BR200T)
 4x Top Guide (#BG1)
 2x Guide Track (6m) (#TB5A)
 2x Bottom Track (#12002A)
 2x Interlocker (#12001A)
 1x Threshold Kit (#12010A)
 2x Negative Load Hook Set (#12060LH)

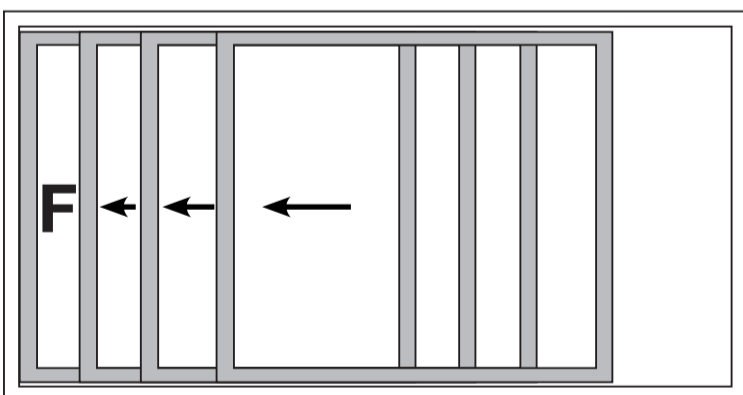
Track Lengths

- Bottom Track: 2.5m, 5m
- Threshold: 2m, 4m
- Interlocker: 2.5m, 5m

NOTE

If door weight above 100kg, use 12051, up to 180kg

4 Panel Stacker



6x Bottom Roller (50Kg) (#BR200T)
 6x Top Guide (#BG1)
 2x Guide Track (6m) (#TB5A)
 2x Bottom Track (#12002A)
 3x Interlocker (#12001A)
 2x Threshold Kit (#12010A)
 3x Negative Load Hook Set (#12060LH)
 Set

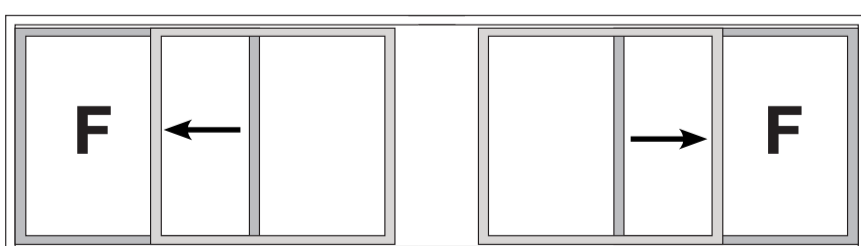
Track Lengths

- Bottom Track: 2.5m, 5m
- Threshold: 2m, 4m
- Interlocker: 2.5m, 5m

NOTE

If door weight above 100kg, use 12051, up to 180kg

4 Panel



4x Bottom Roller (50Kg) (#BR200T)
 4x Top Guide (#BG1)
 1x Guide Track (6m) (#TB5A)
 1x Bottom Track (#12002A)
 2x Interlocker (#12001A)
 1x Threshold (#12000A)
 1x Negative Load Hook Set (#12060LH)
 1x Negative Load Hook Set (#12060RH)

Track Lengths

- Bottom Track: 2.5m, 5m
- Threshold: 2m, 4m
- Interlocker: 2.5m, 5m

NOTE

If door weight above 100kg, use 12051, up to 180kg