

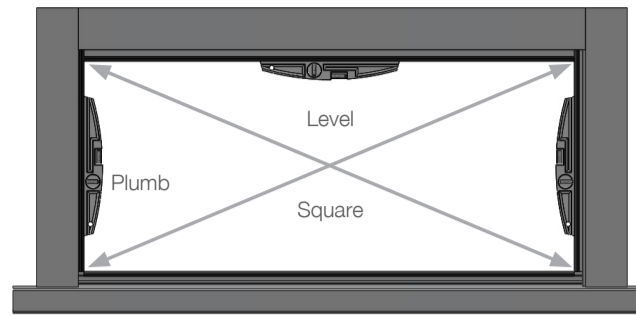
ZEBRATTI

Timber Sliding Installation Instructions

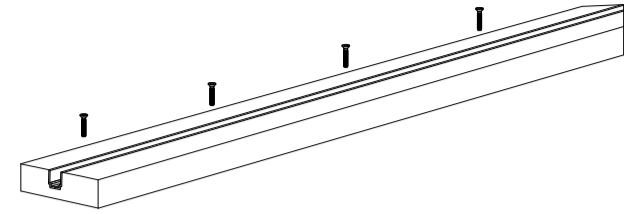
Standard Top Rolling

RH1 & 2

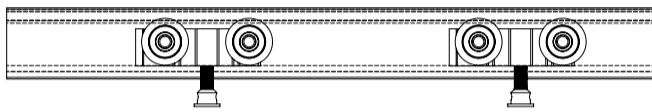
1. Install frame square, level, plumb, and free of twist



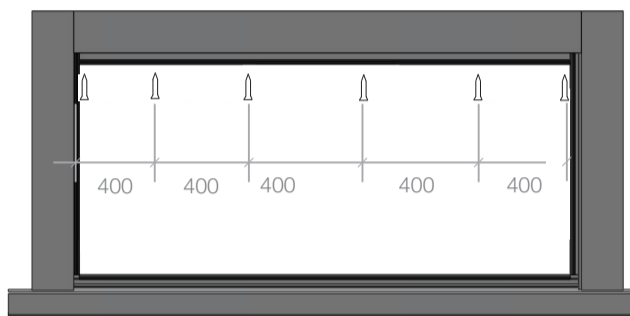
2. Install Guide track, screw down with 8g screws at 400mm centers. insure track is level.



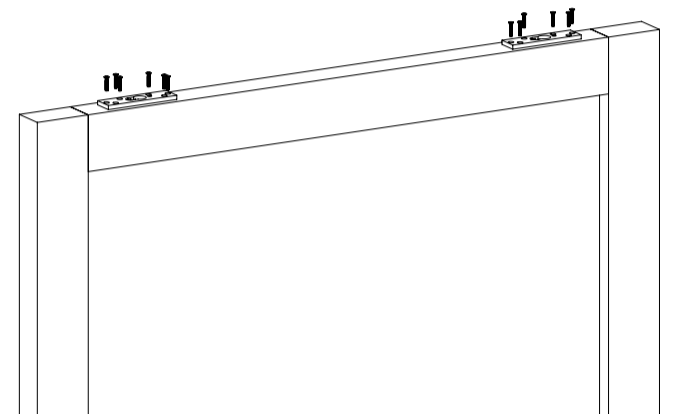
3. Put rollers into top track



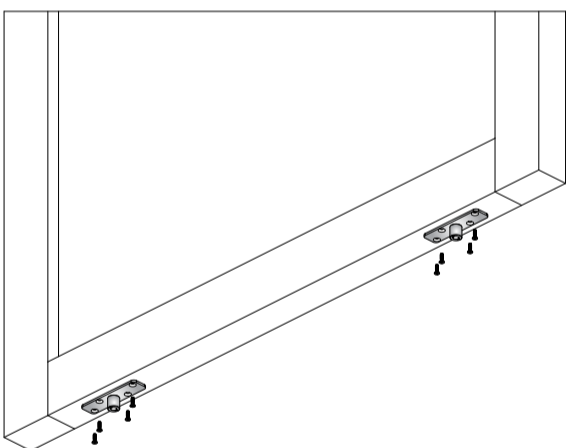
4. Screw top track to frame with 10g CSK screws at 300mm centres.



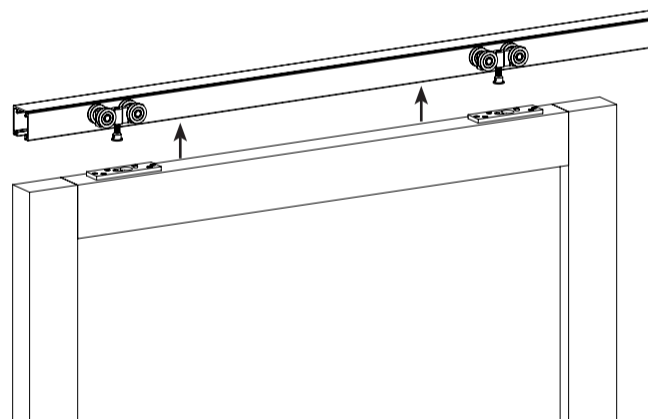
5. Screw top roller mounting plate to top of door, using 8g screws.



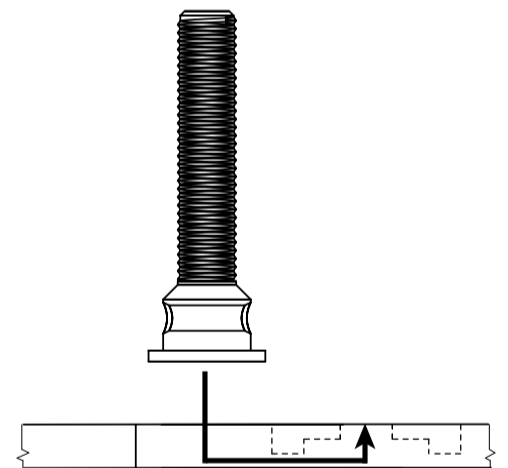
6. Mount Guide guides onto doors



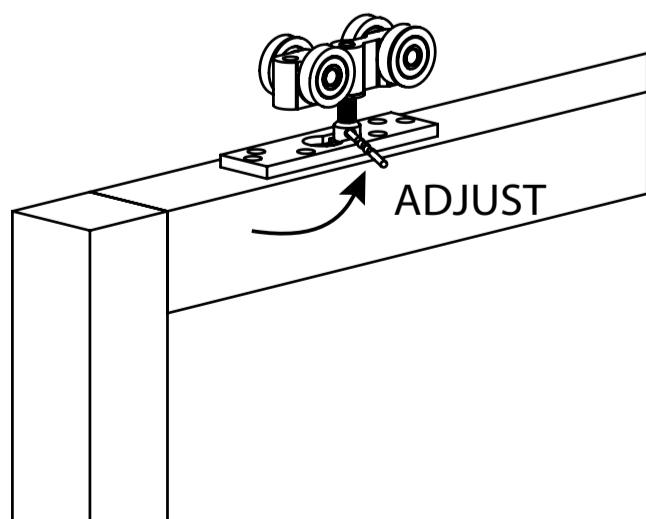
7. Lift panel onto mounting bolts, slide across to seat in place. Mount at least 100mm in from ends of doors.



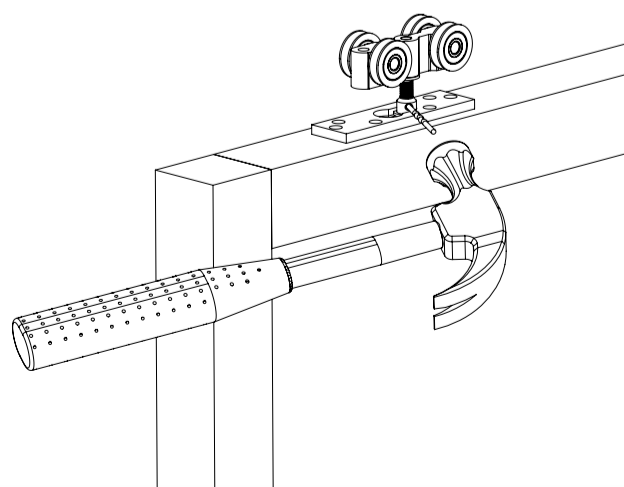
8. Slide panels across as shown.



9. Wind mounting bolts down to desired height, then insert locking pin.



10. After desired height is set, hammer in pin. Then move pin inline with door.



NOTE

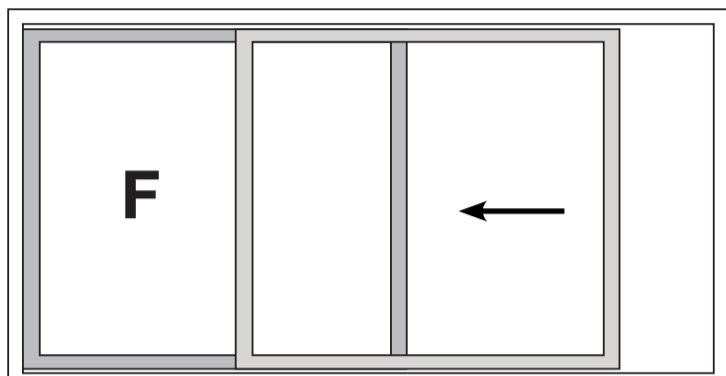
Threshold kits
 12010AL75 for 56mm thick doors.
 12010AL63 for 44mm thick doors.
 12010AL84 for 65mm thick doors.

Aluminium finishes Available

(All anodized 20mic)

(Suffix) A = Natural Anodized
 BRZ = Dark Bronze Anodized
 BLK = Black Anodized

2 Panel Stacker



Recommended Hardware

2x Top Roller (#RH2)
 2x Guide Guide (#BG1)

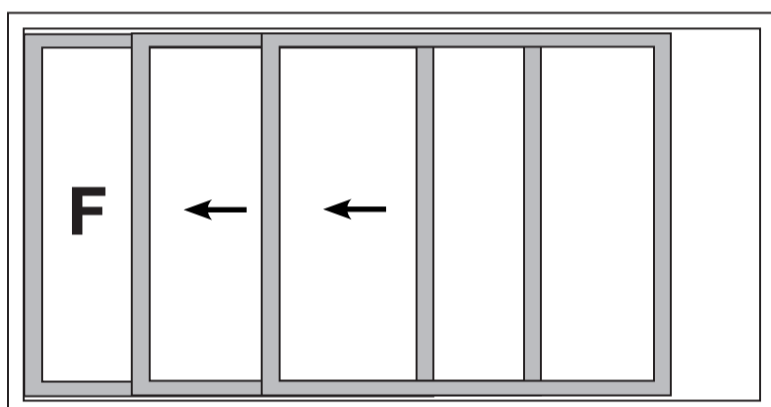
1x Standard Top Track (#T6A)
 1x Guide Track (#TB6A)

1x Interlocker (#12001A)
 1x Threshold (#12000A)
 Negative Load Hook Set (#12060)

Track Lengths

- Guide Track: 2.5m, 3m, 5m, 6m
- Threshold: 2m, 4m
- Interlocker: 2.5m, 5m

3 Panel Stacker



4x Top Roller (#RH2)
 4x Guide Guide (#BG1)

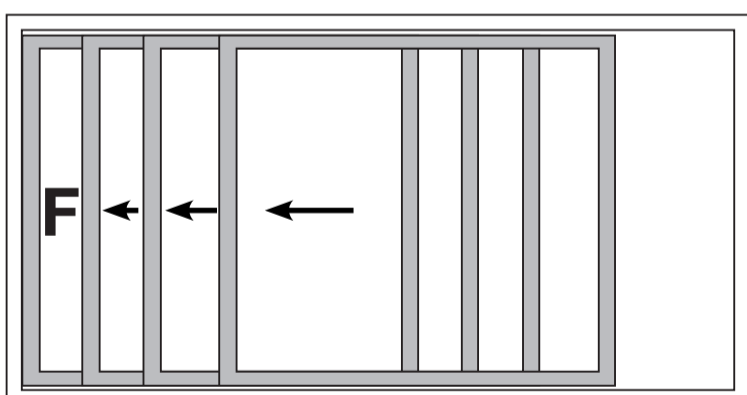
2x Standard Top Track (#T6A)
 2x Guide Track (#TB6A)

2x Interlocker (#12001A)
 1x Threshold Kit (#12010A)
 Negative Load Hook Set (#12060)

Track Lengths

- Guide Track: 2.5m, 3m, 5m, 6m
- Threshold: 2m, 4m
- Interlocker: 2.5m, 5m

4 Panel Stacker



6x Top Roller (#RH2)
 6x Guide Guide (#BG1)

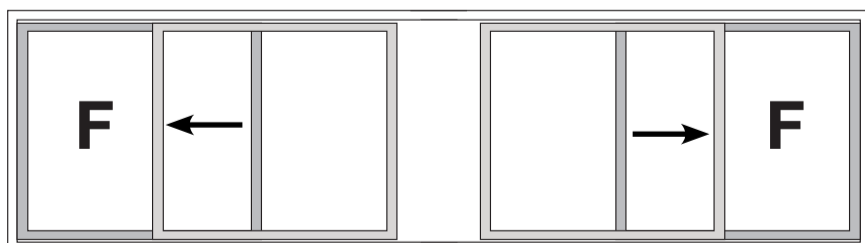
2x Standard Top Track (#T6A)
 2x Guide Track (#TB6A)

3x Interlocker (#12001A)
 2x Threshold Kit (#12010A)
 Negative Load Hook Set (#12060)

Track Lengths

- Guide Track: 2.5m, 3m, 5m, 6m
- Threshold: 2m, 4m
- Interlocker: 2.5m, 5m

4 Panel



4x Top Roller (#RH2)
 4x Guide Guide (#BG1)

1x Standard Top Track (#T6A)
 1x Guide Track (#TB6A)

2x Interlocker (#12001A)
 2x Threshold (#12000A)
 Negative Load Hook Set (#12060)

Track Lengths

- Guide Track: 2.5m, 3m, 5m, 6m
- Threshold: 2m, 4m
- Interlocker: 2.5m, 5m