

Sliding Door Lock

Manufactured entirely from Stainless steel and Aluminium to ensure a highly corrosion resistant lock kit in harsh coastal conditions.



The Zebratti sliding door lock has been developed as a low profile lock, for use with stacker and cavity sliding doors, in both timber and aluminium joinery.

The LCS Lock range requires a minimum of 37mm thick door section.

The twin locking prongs are driven by the snib inside the flush handle. The key is used finally to lock the prongs in place.

Handle fixings have been concealed for a clean minimal look.

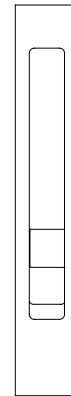
Features

- Corrosion Resistant - made entirely from Aluminium and Stainless Steel
- Smooth Operation
- Twin Locking Prongs - anti lift

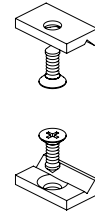
Handle Surface Finishes

- Satin Chrome
- Matt Black
- Antique Bronze
- Powder Coated

Accessories



Blank Handle
100LCSFPB

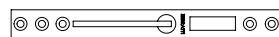


Timber Fixing Kit
LCSTF

Lock Kit

Lock kits include an adjustable strike plate and eurocylinder

Lock face options, specify when ordering.

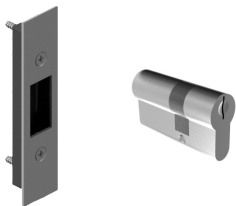


Edgepull



Non-Edgepull

Eurocylinders and strike plates can be coloured at special Request.



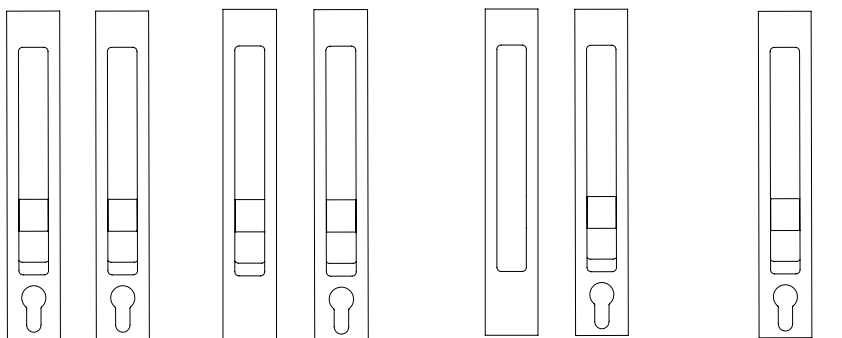
Specifications	Detail
Backsets	33, 40, 60mm
Min Stile Thickness	37mm
Lock Width	14mm
Handle Outer Size	242x38mm

Part Numbers

Item #	Configuration	Backset
LCS ## THL or SC	Twin Handle, Double Key	33,40 or 60mm
LCS ## THLNL or SC	Twin Handle, Single Key	33,40 or 60mm
LCS ## THLB or SC	Twin Handle (Blank outside handle), Single Key	33,40 or 60mm
LCS ## THP or SC	Twin Handle, Privacy, and Single Key	33,40 or 60mm
LCS ## SHL or SC	Single Handle, Single Key	33,40 or 60mm
LCS ## THNLB	Twin Handle, (Blank outside handle), No Key	33,40 or 60mm

NOTE: Replace ## with backset dimension

Handle Options



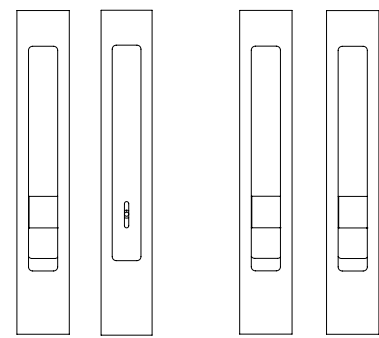
Item
LCS##THL

Item
LCS##THLNL

Item
LCS##THLB

Item
LCS##SHL

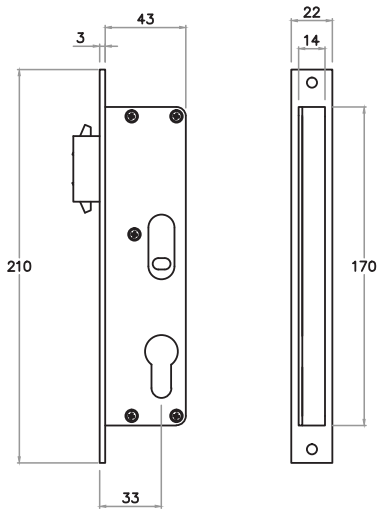
Interior Use Only



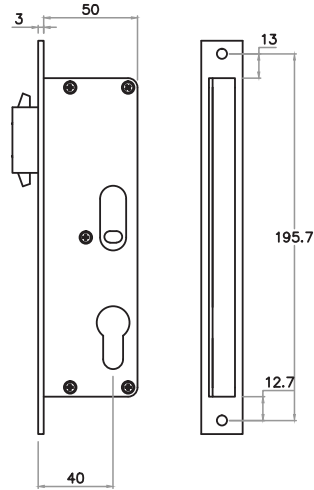
Item
LCS##THP

Item
LCS##THNL

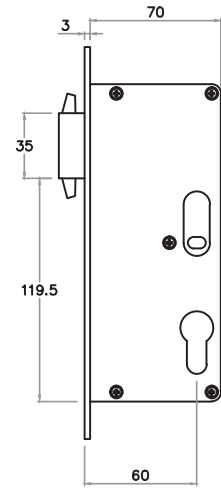
33mm Backset Lock



40mm Backset Lock



60mm Backset Lock



Sliding Lock Flush Handle

