

Sliding Door Lock

Manufactured entirely from Stainless steel and Aluminium to ensure a highly corrosion resistant lock kit in harsh coastal conditions.



October 29, 2021



The Zebratti sliding door lock has been developed as a low profile lock, for use with stacker and cavity sliding doors, in both timber and aluminium joinery.

The LCS Lock range requires a minimum of 37mm thick door section.

The twin locking prongs are driven by the snib inside the flush handle. The key is used finally to lock the prongs in place.

Handle fixings have been concealed for a clean minimal look.

Features

- Corrosion Resistant - made entirely from Aluminium and Stainless Steel
- Smooth Operation
- Twin Locking Prongs - anti lift
- Colour matched

Handle Surface Finishes

- Satin Chrome
- Electro Matt Black
- Custom powdercoat colours using Dulux and Interpon
- Antique Bronze

Accessories

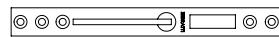


Blank Handle
100LCSFPB

Lock Kit

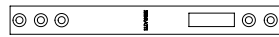
Lock kits include an adjustable strike plate and eurocylinder

Lock face options, specify when ordering.

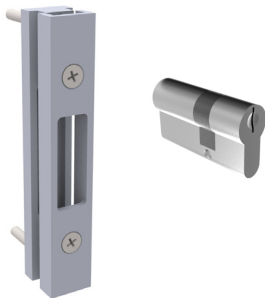


Edgepull

Eurocylinders and strike plates can be coloured at special Request.



Non-Edgepull



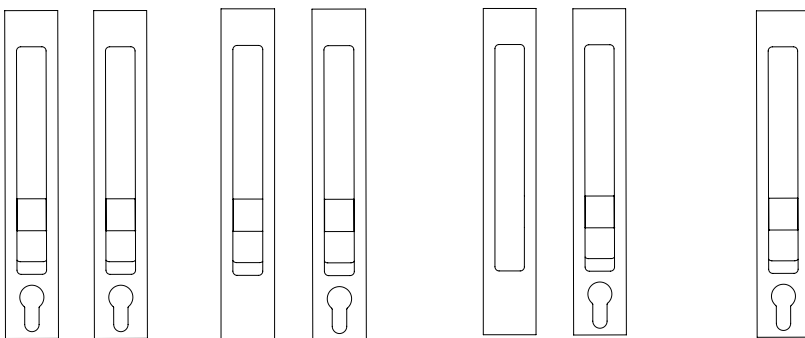
Specifications	Detail
Backsets	33, 40, 60mm
Min Stile Thickness	37mm
Lock Width	14mm
Handle Outer Size	242x38mm

Part Numbers

Item #	Configuration	Backset
LCS ## THL or SC	Twin Handle, Double Key	33,40 or 60mm
LCS ## THLNL or SC	Twin Handle, Single Key	33,40 or 60mm
LCS ## THLB or SC	Twin Handle (Blank outside handle), Single Key	33,40 or 60mm
LCS ## THP or SC	Twin Handle, Privacy, and Single Key	33,40 or 60mm
LCS ## SHL or SC	Single Handle, Single Key	33,40 or 60mm
LCS ## THNLB	Twin Handle, (Blank outside handle), No Key	33,40 or 60mm

NOTE: Replace ## with backset dimension

Handle Options



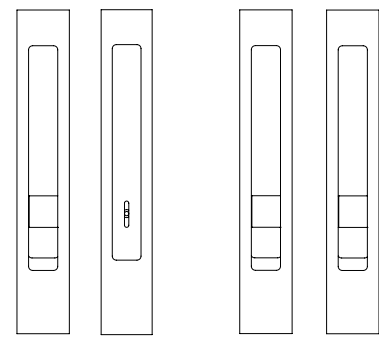
Item
LCS##THL

Item
LCS##THLNL

Item
LCS##THLB

Item
LCS##SHL

Interior Use Only



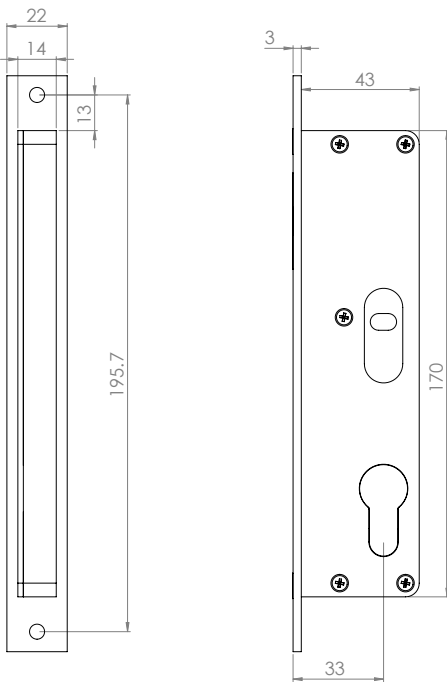
Item
LCS##THP

Item
LCS##THNL

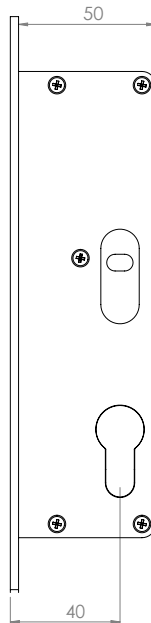
Dimensioned drawing

LCS 33 - 60

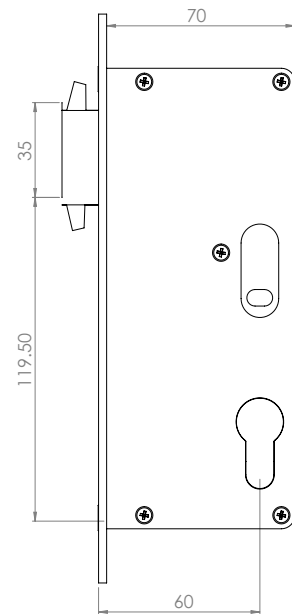
33mm Backset Lock



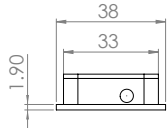
40mm Backset Lock



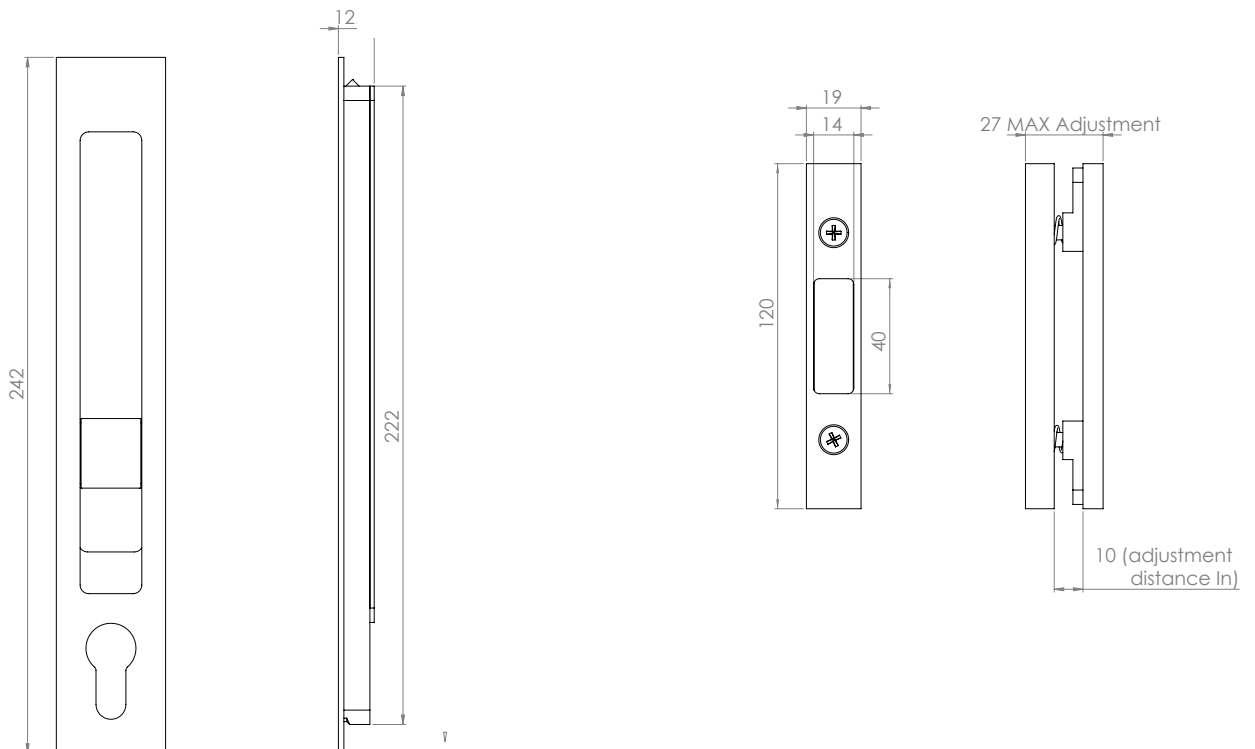
60mm Backset Lock



Sliding Lock Flush Handle



Aluminium Strike



October 29, 2021

DESIGNED &
MANUFACTURED IN NZ

ZEBRATTI
Architectural Designer Hardware

ZEBRATTI
Architectural Designer Hardware



ZEBRATTI HARDWARE IS DESIGNED & MANUFACTURED
IN NZ BY ADVANCED ENGINEERING SERVICES LTD

31-33 TIMOTHY PLACE
AVONDALE
AUCKLAND, 1026

E: OFFICE@AESPARTS.CO.NZ
PH: +649 8289664
W: ZEBRATTI.COM



ZEBRATTI
Architectural Designer Hardware