

Sliding Door Top Rolling

Built from corrosion resistant materials, the Zibratti sliding range of hardware works tirelessly year in year out.

Top Rolling

RH2SP



JMF

NZS.4211 Compliant

ZEBRATTI

Architectural Designer Hardware

Design Features

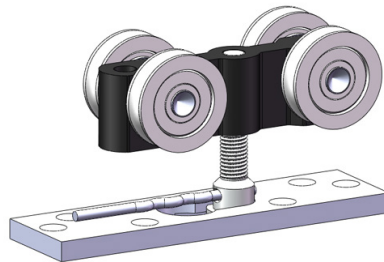
Opening your home, has never been so effortless. Zebratti sliding hardware, with its proven design, will allow you to get the most out of your outdoor spaces.

Only highly corrosion resistant materials, that are extremely durable have been used, to ensure your hardware will stand the test of time.

Ease of operation and longevity were at the forefront of the design process when developing the top sliding range of Zebratti hardware.

Materials

Our standard top rolling range is made almost entirely from stainless steel and aluminum. These materials are chosen for their excellent strength properties, as well as being extremely corrosion resistant.



(RH2SP)

Testing

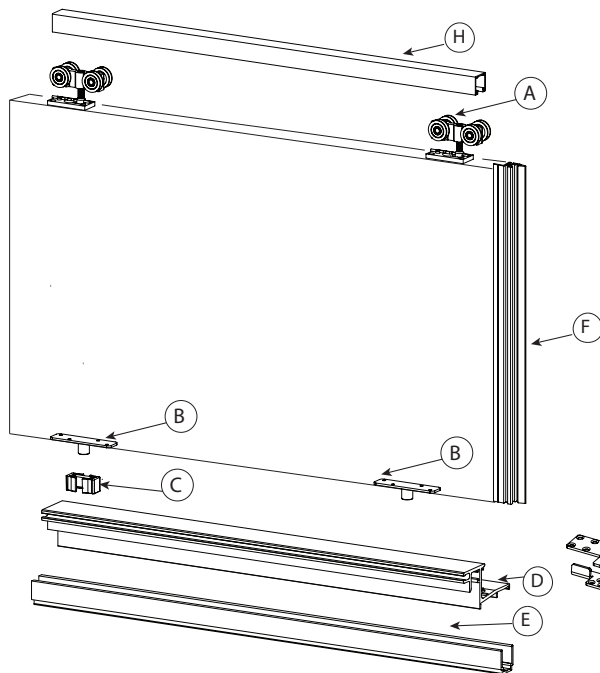
Thorough design and manufacturing controls, mean nothing without proof it will perform in the real world.

The range has been subjected to extensive cycle and load testing, that simulate real world conditions, to ensure it will stand the test of time.

Specifications

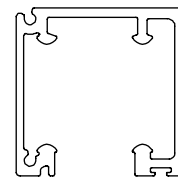
Specifications	Detail
Max Panel Weight	160kg
Max Panel Height	3m
Min Panel Thickness	30mm
Height Adjustable	+/- 5mm

Components

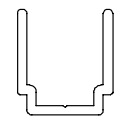


Key	
A	Top Roller
B	Bottom Guide (BG1)
C	Bottom Guide (PBR38)
D	Threshold
E	Guide Track
F	Interlocker
G	Negative Load Hooks

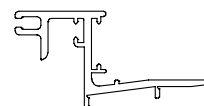
NZS 4211 Compliant System



Top Track (T6A)



Guide Track (TB6A)

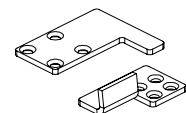


Threshold (12000)

Note: Available in kits for stacker doors

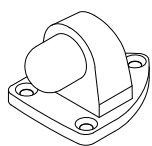


Interlocker (Door 12001 / Window 12006)



Negative Load Hooks (12060LH or RH)

Accessories



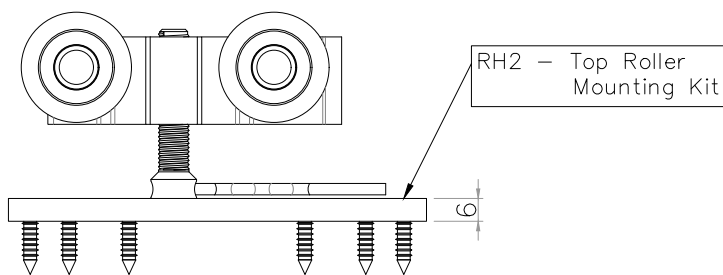
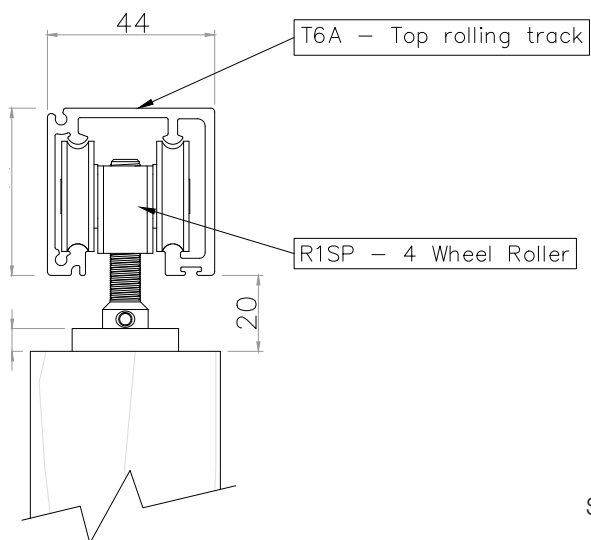
Door Stop (SDS26)



Sliding Lock (LCS40)

End View

Side View



Shown in Mid Adjustment

Bottom Guide

