

Sliding Door Bottom Rolling

Designed to meet the everyday rigors of the New Zealand built environment, the 12050 range of sliding door hardware will perform effortlessly year in and year out.



Design Features

Keeping the profile of the track to a low height, has made the system safer and keeps a clean sight line.

Engineered plastic tyres coupled with anodized aluminium track makes for smooth and quiet operation.

The Standard Bottom rollers are height adjustable by +/-5mm to compensate for any irregularities in the door frame.

Materials

Our plastic bottom roller is made from high strength acetal. This material was chosen for its excellent strength properties, as well as being extremely corrosion and water resistant. Our products are built with durability in mind, and will stand the test of time.

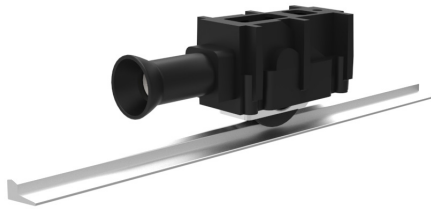
Testing

Thorough design and manufacturing controls, mean nothing without proof it will perform in the real world.

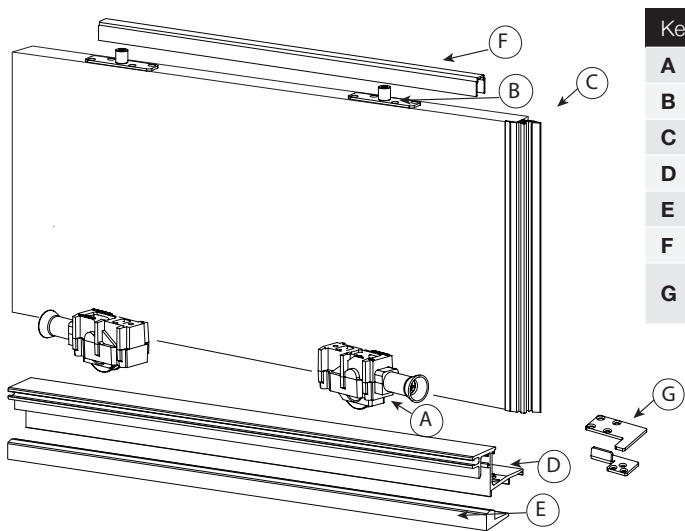
As with all Zebratti products, extensive cycle and load testing has been completed, that simulate real world conditions, to ensure a long low maintenance life cycle.

Specifications

Specifications	Detail
Max Panel Weight	100kg
Max Panel Height	3m
Roller Width	32mm
Height Adjustable	+/- 5mm



Components

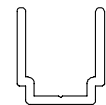


Key	
A	Bottom Roller
B	Top Guide
C	Interlocker
D	Threshold
E	Bottom Track
F	Top Track
G	Negative Load Hooks

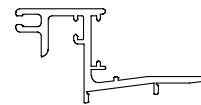
NZS 4211 Compliant System



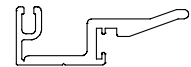
Bottom Rolling Track (12002A)



Guide Track (TB6A)

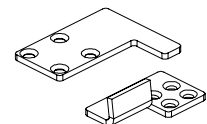


Threshold (12000)



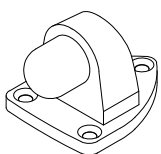
Interlocker (Door 12001) (Window 12006)

Note: Available in kits for stacker doors



Negative Load Hooks (12060LH or RH)

Accessories

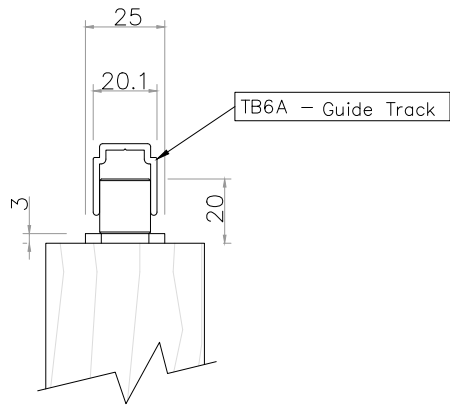


Door Stop (SDS26)

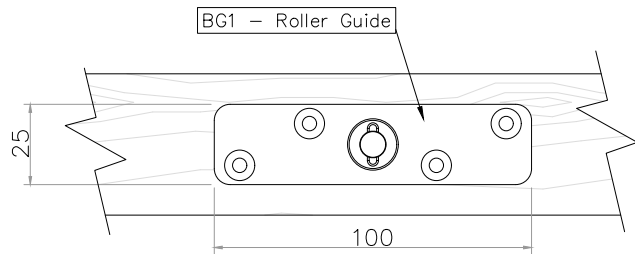


Sliding Lock (LCS40)

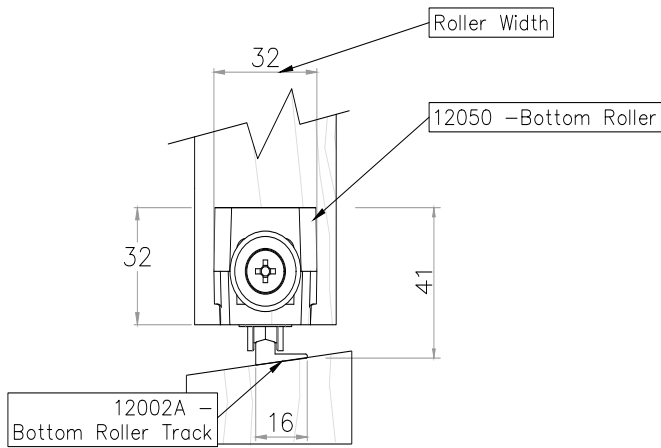
End View



Top View



End View



Side View

